

Reflux 819/FO

High Medium Pressure Gas Regulator



TECHNICAL BROCHURE

Pietro Fiorentini S.p.A.

Via E.Fermi, 8/10 | 36057 Arcugnano, Italy | +39 0444 968 511
sales@fiorentini.com

The data are not binding. We reserve the right
to make changes without prior notice.

reflux819fo_technicalbrochure_ENG_revA

www.fiorentini.com

Who we are

We are a global organization specialized in designing and manufacturing technologically advanced solutions for natural gas treatment, transmission and distribution systems.

We are the ideal partner for operators in the Oil & Gas sector, with a business offer that goes across the whole natural gas chain.

We are in constant evolution to meet our customers' highest expectations in terms of quality and reliability.

Our aim is to be a step ahead of the competition, with customized technologies and an after-sale service program undertaken with the highest grade of professionalism.



Pietro Fiorentini advantages



Localised technical support



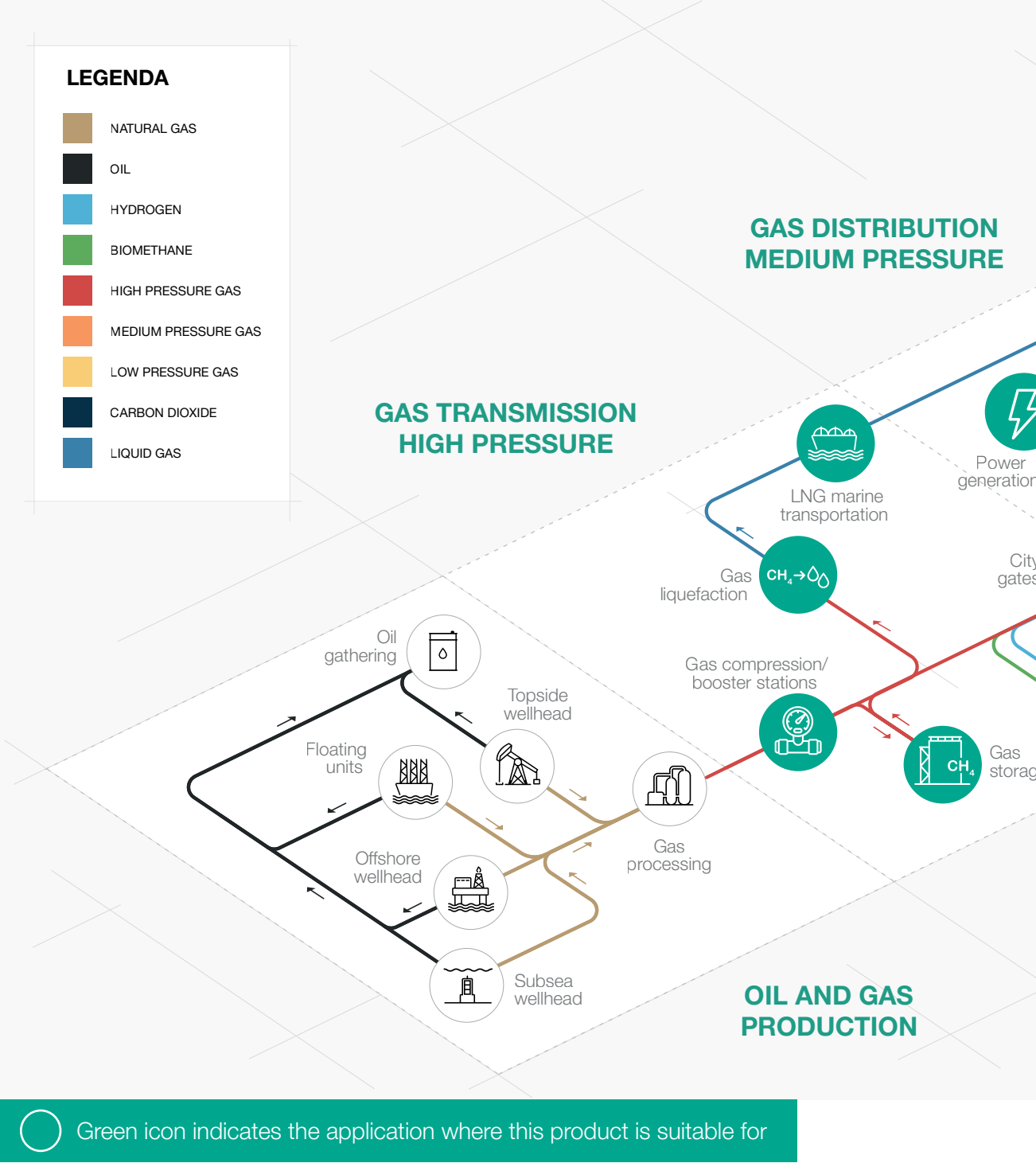
Experience since 1940



We operate in over 100 countries



Area of Application



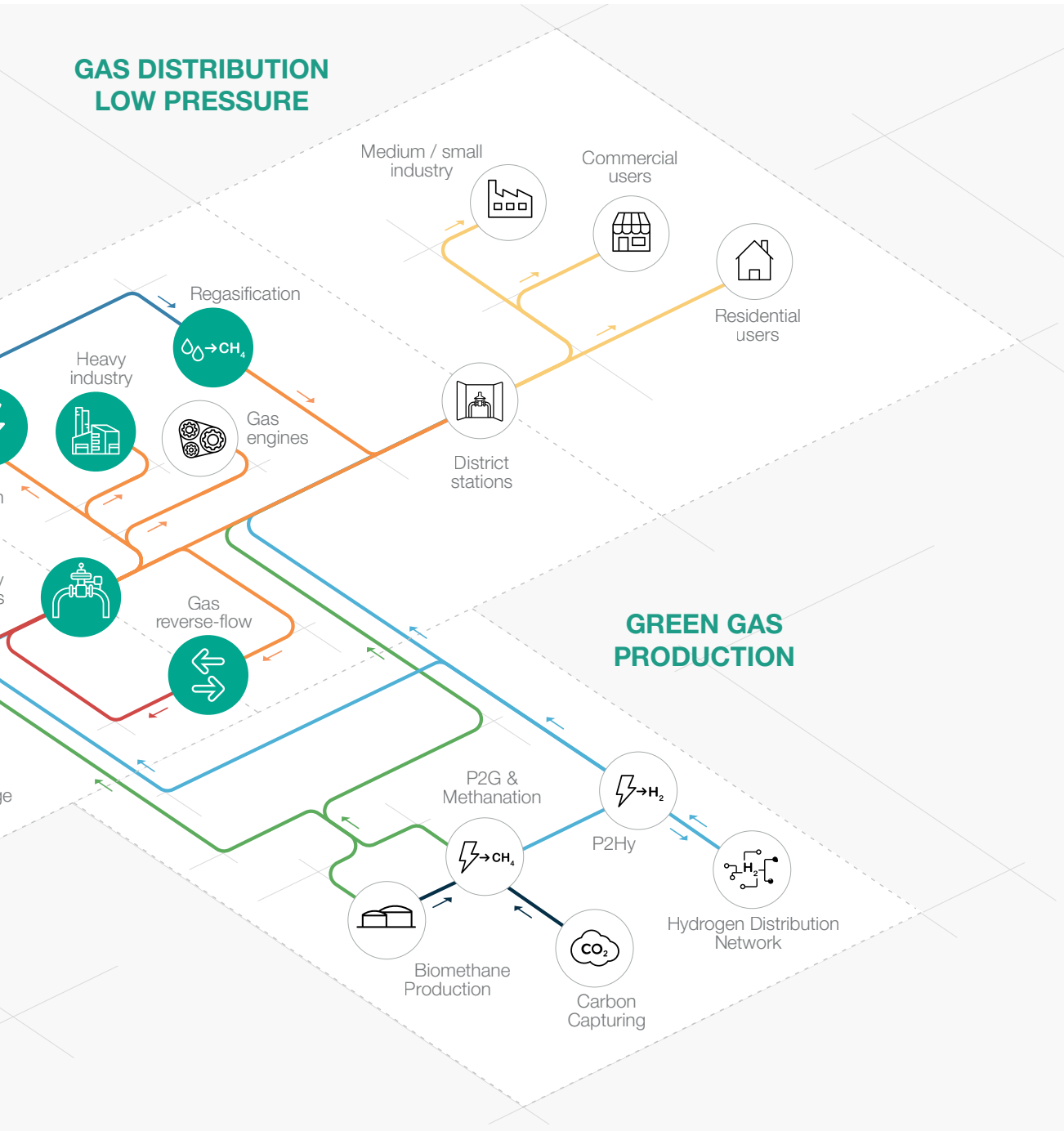


Figure 1 Area of Application Map



Introduction

Reflux 819/FO is one of the **pilot-operated gas pressure regulators** designed and manufactured by Pietro Fiorentini.

This device is suitable for use with previously filtered non-corrosive gases, and it is mainly used for high-pressure transmission systems, power plants and for medium pressure natural gas distribution networks.

According to the European Standard EN 334, it is classified as **Fail Open**.

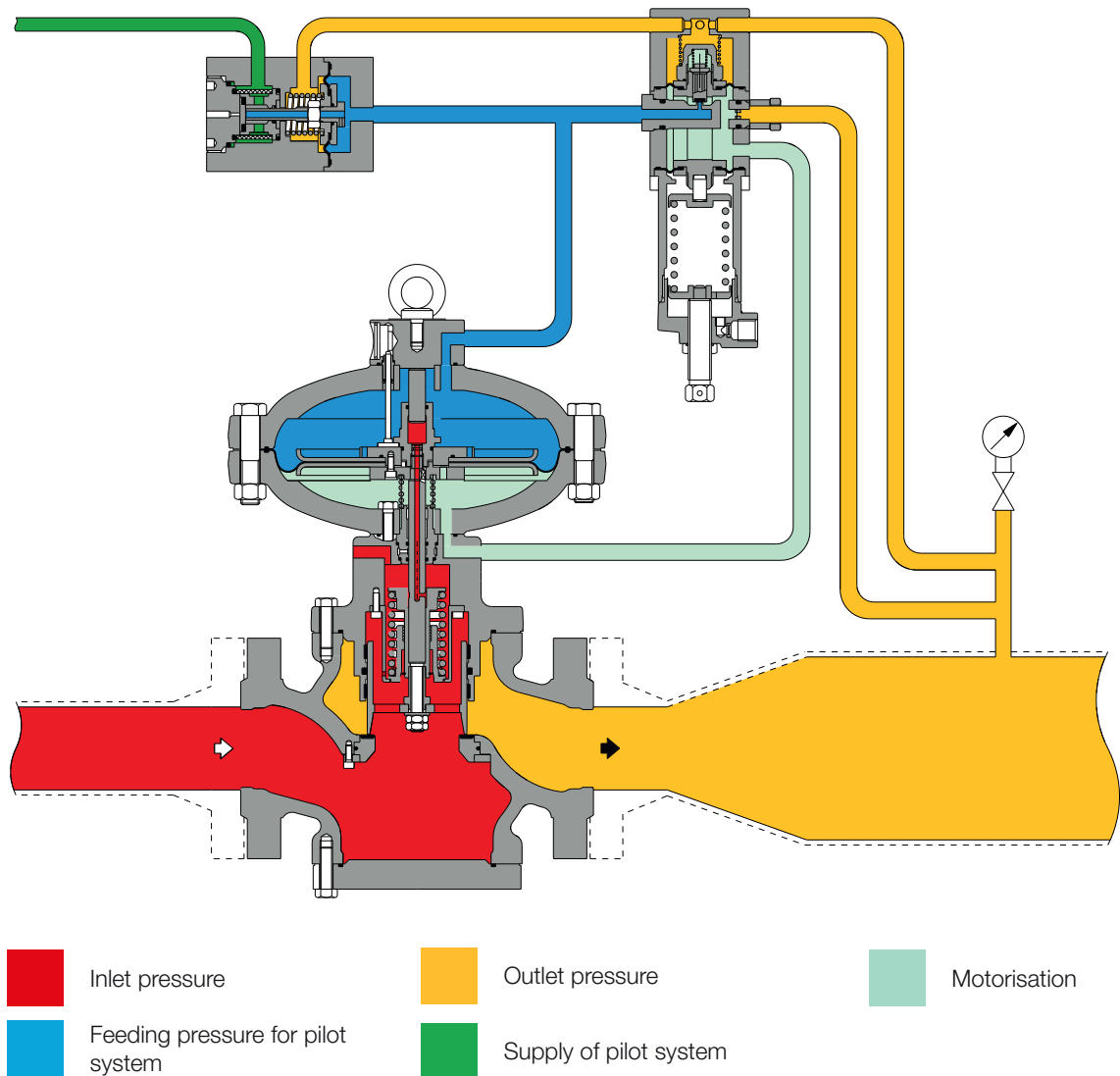


Figure 2 Reflux 819/FO

Features and Calibration ranges

Reflux 819/FO is a **pilot-operated** device for high pressure and medium pressure with a unique **dynamic balancing system** which ensures an **outstanding turn down ratio** combined with an extremely **accurate outlet pressure control**.

Reflux 819/FO is a balanced pressure regulator. This means that the controlled outlet pressure is not affected by variations in the inlet pressure and flow during its operation. Therefore a balanced regulator can have a single-size orifice for all pressure and flow conditions.

This regulator is suitable for use with previously filtered, non corrosive gases, in natural gas transmission and distribution networks as well as high load industrial application.

It is a **truly top entry design** which allows **easy maintenance** of parts directly in the field **without removing the body from the pipework**.

Set point adjustment of the regulator is operated via a pilot unit used to load and unload the motorization pressure to the bottom chamber.

The modular design of Reflux 819/FO pressure regulators allows for the factory (or retro-site fitting) of an emergency monitor regulator PM/819 or a slamshut valve SB/82 or HB/97 (depending on size). Additionally an integral silencer DB/819 can be installed. All without removing the body from the pipeline.



Figure 3 Reflux 819/FO with silencer DB/819



Figure 4 Reflux 819/FO with SB/82



Reflux 819/FO competitive advantages



Compact and simple design



High accuracy



High turn-down ratio



True Fail Open plug and seat regulator



Built-in pilot's filter



Top Entry



Easy maintenance



Built-in accessories



Biomethane compatible and available with specific versions for full Hydrogen or blending



Balanced type

Features

Features	Values
Design pressure*	up to 10.2 MPa up to 102 barg
Ambient temperature*	from -20 °C to +60 °C from 4 °F to +140 °F
Inlet gas temperature range*	from -20 °C to +60 °C from 4 °F to +140 °F
Inlet pressure range bpu (MAOP)	from 0.3 to 10.2 MPa from 3 to 102 barg
Range of downstream pressure Wd	from 0.1 to 7.4 MPa from 1 to 74 barg
Available Accessories	DB/819 Silencer, LDB/171 Silencer, PM/819 Monitor, SB/82 Slam shut, HB/97 Slam shut
Minimum differential pressure	0.2 MPa 2 barg
Accuracy class AC	up to 2.5
Lock-up pressure class SG	up to 5
Nominal dimensions DN	DN 25 / 1"; DN 50 / 2"; DN 80 / 3"; DN 100 / 4"; DN 150 / 6"; DN 200 / 8"; DN 250 / 10"; DN 300 / 12"
Connections*	Class 150, 300, 600 RF or RTJ according to ASME B16.5 and PN16

(*) REMARK: Different functional features and/or extended temperature ranges available on request. Stated temperature ranges are the maximum for which the equipment's full performance, including accuracy, are fulfilled. Standard product may have a narrower range.

Table 1 Features

Materials and Approvals

Part	Material
Body	ASTM A 352 LCC cast steel for classes ANSI 600 and 300; ASTM A 216 WCB cast steel for classes ANSI 150 and PN 16/40
Heads	ASTM A 350 LF2 steel
Stem	AISI 416 stainless steel
Plug	ASTM A 350 LF2 nickel-plated steel
Seat	Vulcanized Nitrile Rubber on metal support
Diaphragm	Rubberised Canvas (pre-formed by hot-pressing process)
O-rings	Nitrile Rubber
Compression fittings	Made of zinc-plated steel according to DIN 2353; on request, stainless steel

REMARK: The materials indicated above refer to the standard models. Different materials can be provided according to specific needs.

Table 2 Materials

Construction Standards and Approvals

Reflux 819/FO regulator is designed according to the European standard EN 334. The regulator reacts in opening (Fail Open) according to EN 334.

The product is certified according to European Directive 2014/68/EU (PED).

DVGW certified as a truly Fail Open regulator.

Leakage class: bubble tight, better than VIII according to ANSI/FCI 70-3.



EN 334



PED-CE



DVGW



Pilot ranges and types

Type	Model	Operation	Range Wh		Spring Table web link
			MPa	barg	
Main pilot	204/A/FO	Manual	0.1 - 3.3	1 - 33	TT 1183
Main pilot	205/A/FO	Manual	2 - 6	20 - 60	TT 1183
Main pilot	207/A/FO	Manual	4.1 - 7.4	41 - 74	TT 1183

Table 3 Settings table

Pilot adjustment	
Pilot type .../A	Manual setting
Pilot type .../D	Electric remote control setting
Pilot type .../CS	Pneumatic remote control setting
Pilot type .../FIO	Smart unit for remote setting, monitoring, flow limitation

Table 4 Pilot adjustment table

General link to the calibration tables: [PRESS HERE](#) or use the QR code:



Accessories

For the pressure regulators:

- Cg limiter
- Limit switches
- Position transmitter
- Silencer
- Slam shut valve
- Monitor

For the pilot circuit:

- R14/A/S preregulator for the high pressure circuit (differential pressure > 3.5 MPa | 35 barg)
- Heating cable for preheating pilot circuit
- Electrical heater PPH200
- Supplementary filter CF14 or CF14/D
- ATF 15 antifreeze

In-line Monitor

The in-line monitor is generally installed **upstream** of the active regulator.

Although the function of the monitor regulator is different, the two regulators are virtually identical from the point of view of their mechanical components.

The only difference is that monitor is set at a higher pressure than active regulator.

The Cg coefficient of the active regulator is the same, however during the sizing process, the differential pressure drop generated by the fully open in-line monitor shall be considered.

As a general practise to incorporate this effect, a 20% reduction of the Active regulator's Cg value can be applied.

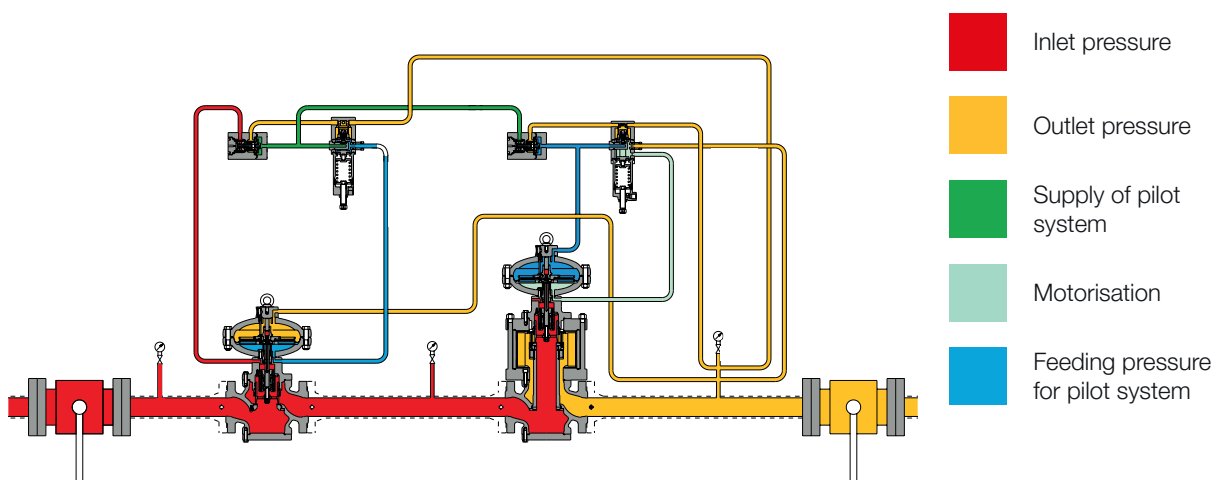


Figure 5 Reflux 819/FO active with in-line monitor Reflux 819



PM/819 monitor

This emergency regulator (monitor) is directly integrated onto the body of the main regulator. Both pressure regulators, therefore, use the same valve body, although they have independent actuators, pilots and valve seats.


The monitor is normally in the fully open position during normal operation of the active regulator and takes over in the event of its failure.

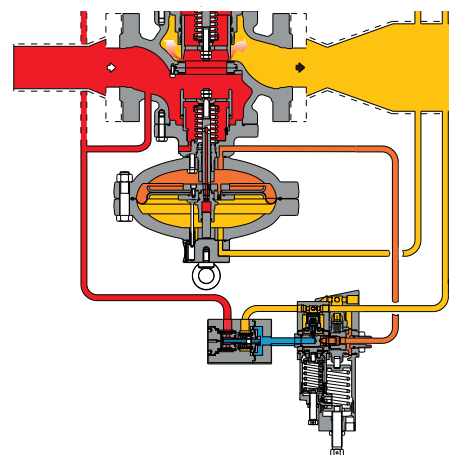
The operational characteristics of the PM/819 monitor are the same as for the Reflux 819 regulator (refer to that specific technical brochure).

The Cg coefficients of regulators having an incorporated monitor is 5% lower than those for standard version.

This solution allows the construction of pressure reduction lines with compact dimensions.

Another great advantage offered by the incorporated monitor regulator is that **it can be installed at any time**, even on an existing regulator, **without major changes to the pipework**.

-  Compact dimensions
-  Completely independent
-  "Fail to close" action
-  Built-in pilot filter
-  Visual opening indicator
-  Easy maintenance
-  Limit switch option
-  Accelerator option



-  Inlet pressure
-  Outlet pressure
-  Feeding pressure for pilot system

Figure 6 Reflux 819/FO with PM/819

Type	Model	Operation	Range Wh		Spring Table web link
			MPa	barg	
Main pilot	204/A	Manual	0.03 - 4.3	0.3 - 43	TT 433
Main pilot	205/A	Manual	2 - 6	20 - 60	TT 799
Main pilot	206/A	Manual	3.2 - 6.5	32 - 65	TT 1050
Main pilot	207/A	Manual	4.1 - 7.4	41 - 74	TT 1146

Table 5 Settings table

Types of pilot adjustment	
Pilot type .../A	Manual setting
Pilot type .../D	Electric remote control setting
Pilot type .../CS	Pneumatic remote control setting
Pilot type .../FIO	Smart unit for remote setting, monitoring, flow limitation

Table 6 Pilot adjustment table

The monitor regulator can be equipped with an additional pilot called “accelerator” to enable a quick response time during the monitor take over. According to PED the accelerator is required on the monitor when acting as a safety accessory.

Type	Model	Operation	Range Wh		Spring Table web link
			MPa	barg	
Accelerator	M/A	Manual	0.03 - 2	0.3 - 20	TT 354
Accelerator	M/A1	Manual	2 - 6.3	20 - 63	TT 892
Accelerator	M/A2	Manual	4 - 7.5	40 - 75	TT 892

Table 7 Accelerator adjustment table

General link to the calibration tables: [PRESS HERE](#) or use the QR code:





DB/819 silencer

Whenever certain noise limit is desired, an additional silencer allows to considerably reduce the noise level (dBA).

Reflux 819/FO pressure regulator can be supplied with an **incorporated silencer** in either the standard version or version with incorporated slam shut or monitor regulator.

The high efficiency noise absorption takes place at the point where the noise is generated, thus preventing its propagation.

With the built-in silencer, the C_g valve coefficient is 5% lower than the corresponding version without.

Given the modular arrangement of the regulator, the silencer may be retrofitted to both standard Reflux 819/FO version as well as those with incorporated slam shut or monitor, **without any need to modify the main piping.**

Pressure reduction and control operate in the same manner as in the standard version.

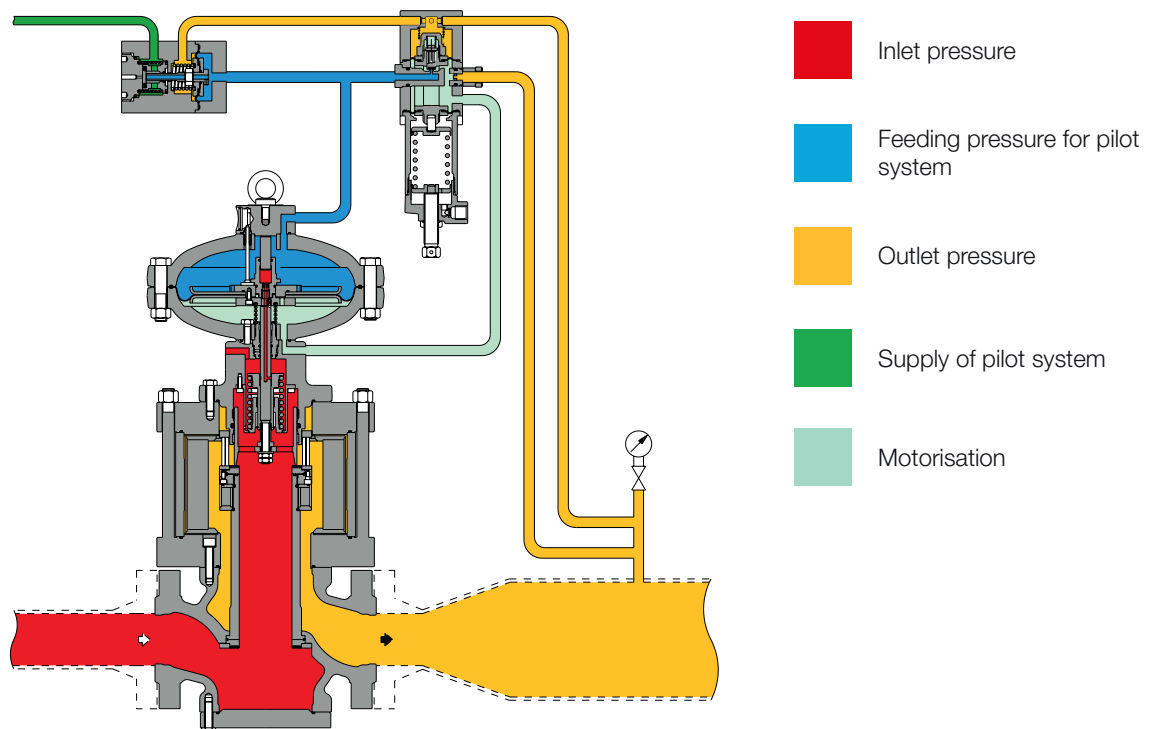


Figure 7 Reflux 819/FO with DB/819 silencer

The charts below represent the silencer effectiveness based on some common reference conditions for 2", 4" and 6". For actual calculations at specific desired conditions please refer to the online sizing tool or contact your closest Pietro Fiorentini representative.

- Pd 0.4 MPa | 4 barg NO Silencer
- Pd 2 MPa | 20 barg NO SILENCER
- Pd 4 MPa | 40 barg NO Silencer
- Recommended noise limit (85 dBA at 1 mt | 3 feet)
- Pd 0.4 MPa | 4 barg DB/819
- Pd 2 MPa | 20 barg DB/819
- Pd 4 MPa | 40 barg DB/819

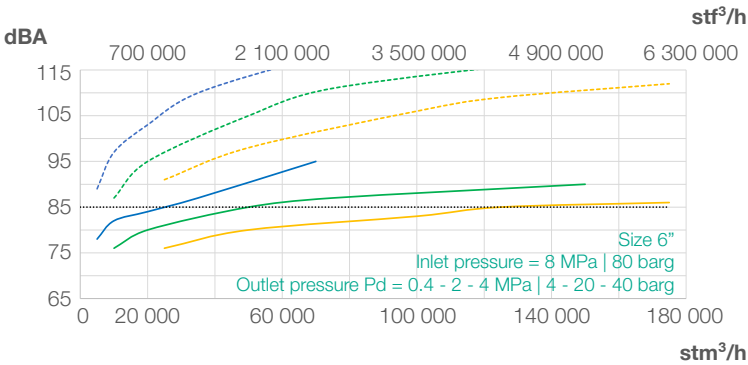
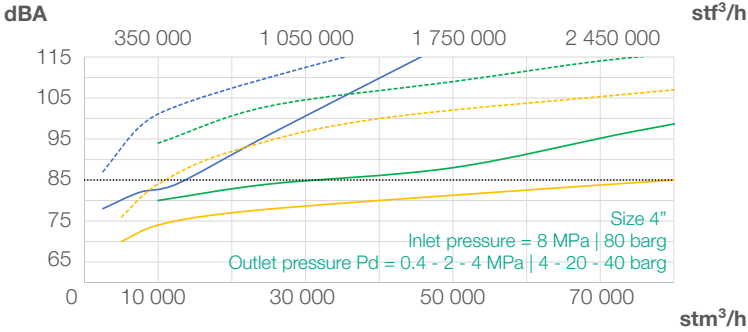
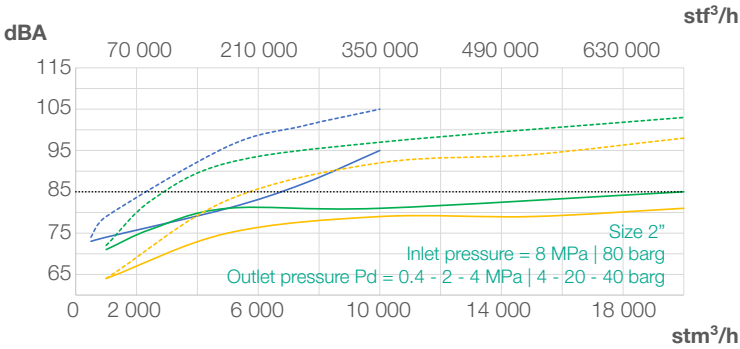
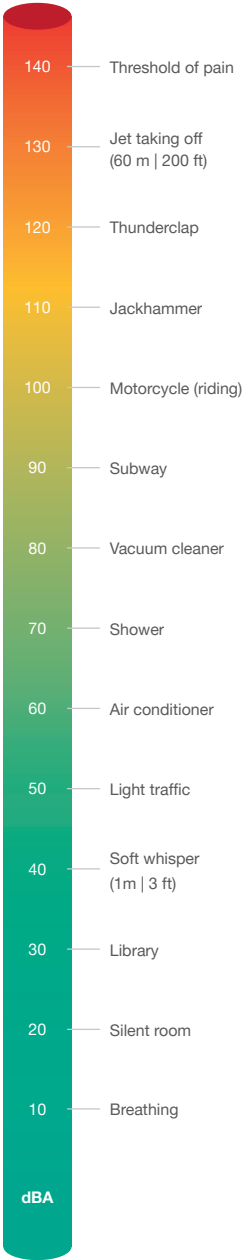


Chart 1 Reflux 819/FO's silencer efficiency charts



SB/82 or HB/97 slam shut valves









Reflux 819/FO pressure regulator offers the possibility of installing an **SB/82 or HB/97 incorporated slam shut valve**, depending on the regulator size, and this can be done either during the manufacturing process or be retrofitted in the field.

SB/82 is available for all sizes, while HB/97 is available from 4" to 12" only.

Retrofitting can be done without modifying the pressure regulator assembly.

With the built-in slam shut, the Cg valve coefficients is 5% lower than the corresponding version without.

The main characteristics of this device are:

-  Over Pressure Shut-Off
-  Under Pressure Shut-Off
-  Internal by-pass
-  Push button for tripping test
-  Compact dimensions
-  Easy maintenance
-  Remote tripping option
-  Limit switch option

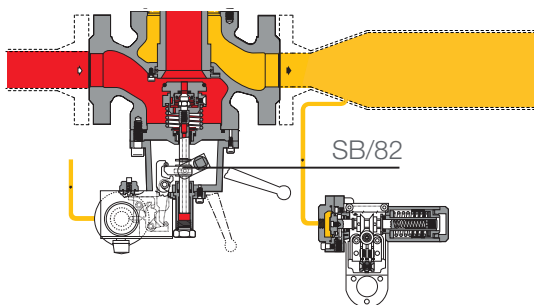


Figure 8 Reflux 819/FO with SB/82

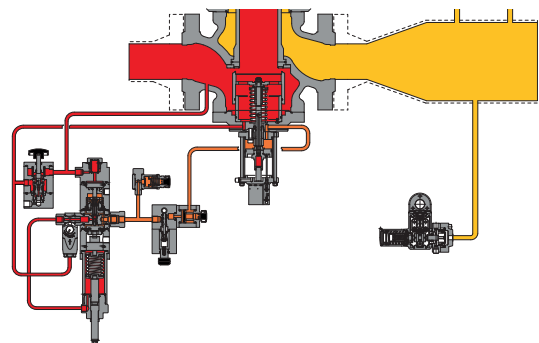


Figure 9 Reflux 819/FO with HB/97



Pressure switch types and ranges					
SSV Type	Model	Operation	Range Wh		Spring Table web link
			MPa	barg	
SB/82	102M	OPSO	0.02 - 0.55	0.2 - 5.5	TT 1331
		UPSO	0.02 - 0.28	0.2 - 2.8	
SB/82	102MH	OPSO	0.02 - 0.55	0.2 - 5.5	TT 1331
		UPSO	0.28 - 0.55	2.8 - 5.5	
SB/82	103M	OPSO	0.2 - 2.2	2 - 22	TT 1331
		UPSO	0.02 - 0.8	0.2 - 8	
SB/82	103MH	OPSO	0.2 - 2.2	2 - 22	TT 1331
		UPSO	0.8 - 1.9	8 - 19	
SB/82	104M	OPSO	1.5 - 4.5	15 - 45	TT 1331
		UPSO	0.16 - 1.8	1.6 - 18	
SB/82	104MH	OPSO	1.5 - 4.5	15 - 45	TT 1331
		UPSO	1.8 - 4.1	18 - 41	
SB/82	105M	OPSO	3 - 9	30 - 90	TT 1331
		UPSO	0.3 - 4.4	3 - 44	
SB/82	105MH	OPSO	3 - 9	30 - 90	TT 1331
		UPSO	4.4 - 9	44 - 90	
HB/97	103	OPSO	0.13 - 1.1	1.3 - 11	TT 984
		UPSO	0.04 - 0.68	0.4 - 6.8	
HB/97	104	OPSO	1 - 3.15	10 - 31.5	TT 984
		UPSO	0.1 - 2.06	1 - 20.6	
HB/97	105	OPSO	2.5 - 7.6	25 - 76	TT 985
		UPSO	0.25 - 5	2.5 - 50	
HB/97	105/92	OPSO	5.8 - 8.5	58 - 85	TT 985
		UPSO	4.5 - 7.5	45 - 75	

Table 8 Accelerator adjustment table



Weights and Dimensions

Reflux 819/FO

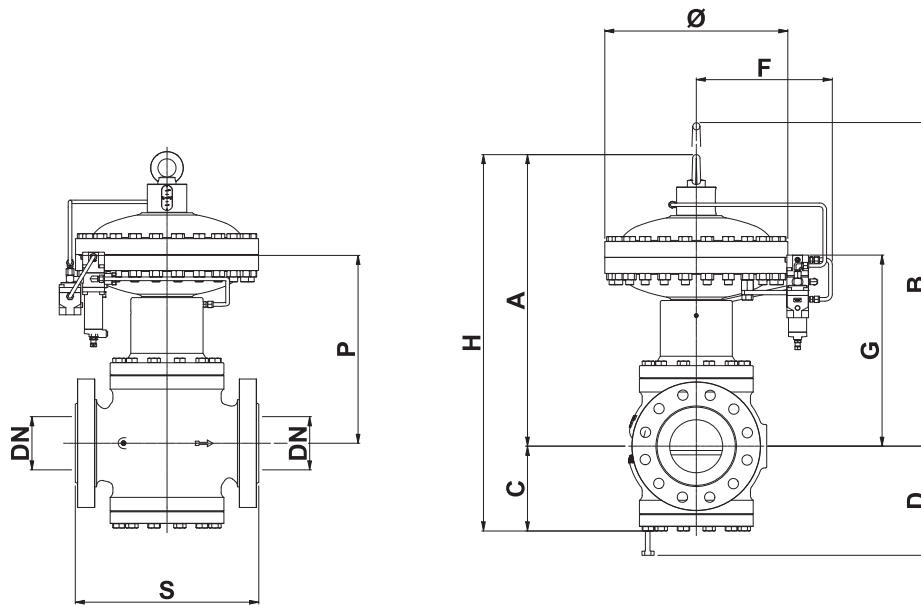


Figure 10 Reflux 819/FO dimensions

Weights and Dimensions (for other connections please contact your closest Pietro Fiorentini representative)								
	[mm] inches	[mm] inches	[mm] inches	[mm] inches	[mm] inches	[mm] inches	[mm] inches	[mm] inches
Size (DN)	25 1"	50 2"	80 3"	100 4"	150 6"	200 8"	250 10"	300 12"
S - ANSI 150/PN16	184 7.24"	254 10"	298 11.73"	352 13.86"	451 17.76"	543 21.38"	673 26.50"	737 29.02"
S - ANSI 300	197 7.76"	267 10.51"	317 12.48"	368 14.49"	473 18.62"	568 22.36"	708 27.87"	775 30.52"
S - ANSI 600	210 8.27"	286 11.26"	336 13.23"	394 13.23"	508 20"	609 23.98"	752 29.61"	819 32.24"
Ø	278 10.94"	278 10.95"	360 14.17"	360 14.17"	510 20.08"	510 20.08"	610 24.02"	718 28.27"
A	371 14.61"	435 17.13"	490 19.29"	532 20.94"	789 31.06"	750 29.53"	1075 42.33"	1060 41.73"
B	461 18.15"	515 20.28"	590 23.23"	642 25.28"	874 34.41"	460 18.11"	1175 46.26"	1330 52.36"
C	100 3.94"	130 5.12"	150 5.91"	190 7.48"	225 8.86"	265 10.43"	340 13.39"	375 14.76"
D	130 5.12"	160 6.30"	200 7.87"	250 9.84"	275 10.83"	420 16.54"	440 17.33"	475 18.70"
F	310 12.20"	310 12.20"	320 12.60"	320 12.60"	420 16.54"	460 18.11"	470 18.50"	500 19.68"
G	311 12.24"	375 14.76"	410 16.14"	422 16.61"	549 21.61"	1015 39.96"	847 33.35"	780 30.71"
H	471 18.54"	560 22.05"	640 25.20"	722 28.43"	1014 39.92"	370 14.57"	1515 59.65"	1435 56.50"
P	220 8.66"	285 11.22"	320 12.60"	332 13.07"	459 18.07"	460 18.11"	775 30.52"	762 30"
Tubeing Connections	Øe 10 x Øi 8 (on request imperial sizing)							

Weight	Kg lbs	Kg lbs	Kg lbs	Kg lbs	Kg lbs	Kg lbs	Kg lbs	Kg lbs
ANSI 150/PN 16	44 97	61 134	105 231	146 322	308 679	408 899	900 1984	1433 3159
ANSI 300	45 99	62 137	109 240	156 344	345 761	470 1036	950 2094	1450 3197
ANSI 600	46 101	64 141	112 247	165 364	360 794	495 1091	1000 2204	1530 3373

Table 9 Weights and dimensions

Reflux 819/FO + SB/82 or HB/97

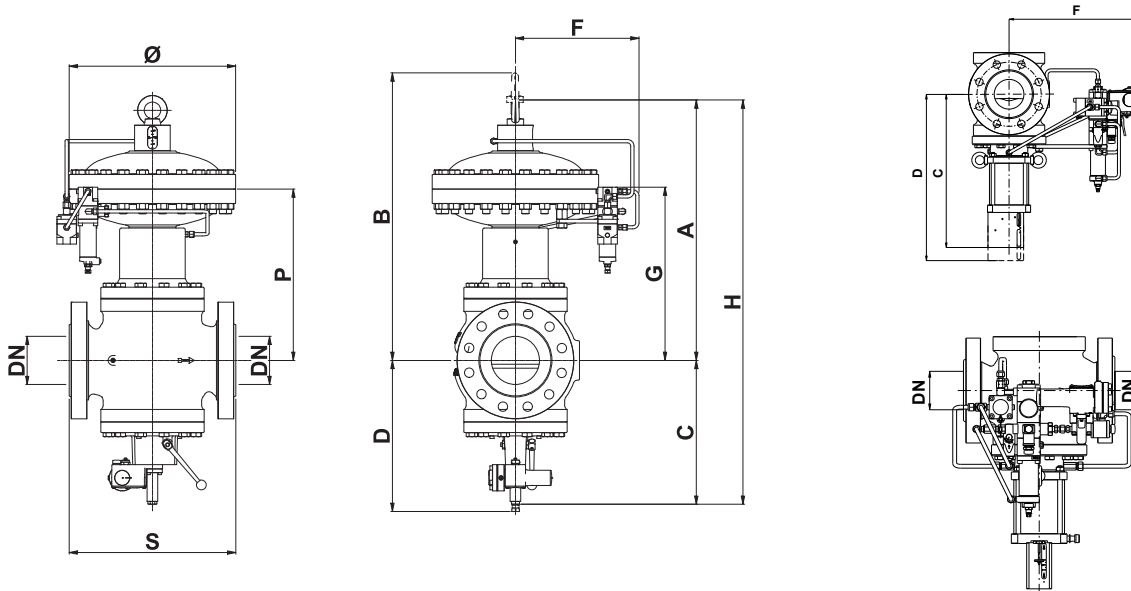


Figure 11 Reflux 819/FO + SB/82 or HB/97 dimensions

Weights and Dimensions (for other connections please contact your closest Pietro Fiorentini representative)

	[mm] inches	[mm] inches	[mm] inches	[mm] inches	[mm] inches	[mm] inches	[mm] inches	[mm] inches
Size (DN)	25 1"	50 2"	80 3"	100 4"	150 6"	200 8"	250 10"	300 12"
S - ANSI 150/PN16	184 7.24"	254 10"	298 11.73"	352 13.86"	451 17.76"	543 21.38"	673 26.50"	737 29.02"
S - ANSI 300	197 7.76"	267 10.51"	317 12.48"	368 14.49"	473 18.62"	568 22.36"	708 27.87"	775 30.51"
S - ANSI 600	210 8.27"	286 11.26"	336 13.23"	394 13.23"	508 20"	609 23.98"	752 29.61"	819 32.24"
Ø with SB/82	278 10.94"	278 10.94"	360 14.17"	360 14.17"	510 20.08"	510 20.08"	610 24.02"	-
Ø with HB/97	-	-	-	-	-	900 35.43"	-	718 28.27"
A	371 14.60"	435 17.13"	490 19.29"	532 20.94"	789 31.06"	887 34.92"	1075 42.32"	1060 41.73"
B	461 18.15"	515 20.28"	590 23.23"	642 25.28"	874 34.41"	987 38.86"	1147 45.16"	1330 52.36"
C with SB/82	215 8.46"	240 9.45"	270 10.63"	300 11.81"	375 14.76"	450 17.72"	530 20.87"	-
C with HB/97	-	-	-	518 20.39"	645 25.39"	687 27.05"	796 31.34"	940 37"
D with SB/82	290 11.42"	330 12.99"	380 14.96"	440 17.32"	560 22.05"	625 24.61"	730 28.74"	-
D with HB/97	-	-	-	650 25.59"	835 32.87"	445 17.52"	1060 41.73"	1250 49.21"
F	310 12.20"	310 12.20"	320 12.60"	320 12.60"	420 16.54"	420 16.54"	470 18.50"	-
F with HB/97	-	-	-	358 14.09"	410 16.14"	-	510 20.08"	530 20.87"
G	311 12.24"	375 14.76"	410 16.14"	422 16.62"	549 21.61"	597 23.50"	847 33.35"	780 30.71"
H	471 18.54"	675 26.57"	760 29.92"	832 32.76"	1164 45.83"	1337 52.64"	1515 59.65"	2000 78.74"
P	221 7.70"	285 11.22"	320 12.60"	332 13.07"	459 18.07"	507 19.96"	775 30.51"	762 30"
Tube Connections	Øe 10 x Øi 8 (on request imperial sizing)							

Weight	Kg lbs	Kg lbs	Kg lbs	Kg lbs	Kg lbs	Kg lbs	Kg lbs	Kg lbs
ANSI 150/PN 16 with SB/82	53 117	71 157	115 254	160 353	320 705	460 1014	950 2094	-
ANSI 150/PN 16 with HB/97	-	-	-	150 331	310 683	414 913	894 1971	1655 3649
ANSI 300 with SB/82	55 121	73 161	122 269	171 377	365 805	525 1157	1000 2205	-
ANSI 300 with HB/97	-	-	-	230 507	424 935	599 1321	1090 2403	1730 3814
ANSI 600 with SB/82	56 123	75 165	125 276	180 397	380 838	550 1213	1050 2315	-
ANSI 600 with HB/97	-	-	-	276 608	476 1049	684 1508	1200 2646	1810 3990

Table 10 Weights and dimensions

Reflux 819/FO + PM/819

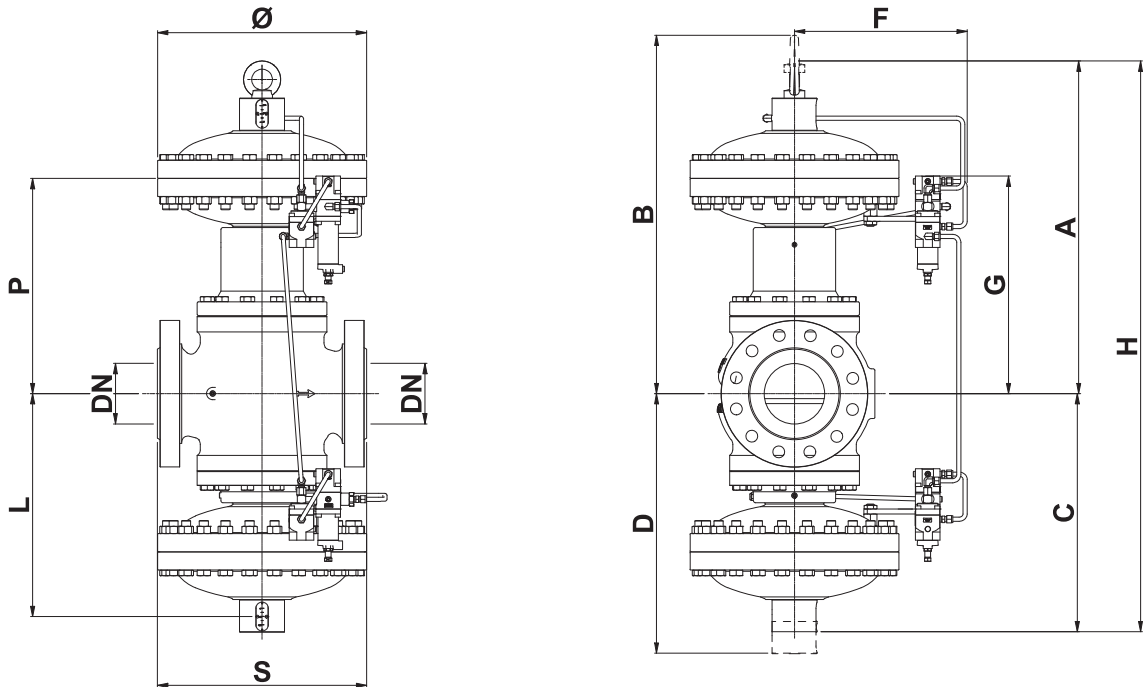


Figure 12 Reflux 819/FO + PM/819 dimensions

Weights and Dimensions (for other connections please contact your closest Pietro Fiorentini representative)							
	[mm] inches	[mm] inches	[mm] inches	[mm] inches	[mm] inches	[mm] inches	[mm] inches
Size (DN)	25 1"	50 2"	80 3"	100 4"	150 6"	200 8"	250 10"
S - ANSI 150/PN16	184 7.24"	254 10"	298 11.73"	352 13.86"	451 17.76"	543 21.38"	673 26.50"
S - ANSI 300	197 7.76"	267 10.51"	317 12.48"	368 14.49"	473 18.62"	568 22.36"	708 27.87"
S - ANSI 600	210 8.27"	286 11.26"	336 13.23"	394 13.23"	508 20"	609 23.98"	752 29.61"
Ø	278 10.94"	278 10.94"	360 14.17"	360 14.17"	510 20.08"	510 20.08"	610 24.02"
A	371 14.61"	435 17.13"	490 29.29"	532 20.94"	789 31.06"	887 34.92"	1075 42.32"
B	461 18.15"	515 20.28"	590 23.23"	642 25.28"	874 34.41"	967 38.07"	500 19.69"
C	320 12.60"	350 13.78"	430 16.93"	490 19.29"	650 25.60"	750 29.53"	800 31.50"
D	410 16.14"	430 16.93"	530 20.87"	600 23.62"	735 28.94"	850 33.46"	900 35.43"
F	310 12.20"	310 12.20"	320 12.60"	320 12.60"	420 16.54"	420 16.54"	470 18.50"
G	311 12.24"	375 14.76"	410 16.14"	422 16.61"	459 18.07"	597 23.50"	847 33.35"
H	691 27.20"	785 30.90"	920 36.22"	1022 40.24"	1439 56.65"	1637 64.65"	1175 46.26"
L	170 6.69"	200 7.87"	260 10.24"	290 11.42"	320 12.60"	370 14.57"	500 19.69"
P	221 8.70"	285 11.22"	320 12.60"	332 13.07"	459 18.07"	507 19.96"	847 33.35"
Tubing Connections	Øe 10 x Øi 8 (on request imperial sizing)						
Weight	Kg lbs	Kg lbs	Kg lbs	Kg lbs	Kg lbs	Kg lbs	Kg lbs
ANSI 150/PN 16	84 185	105 231	180 397	245 540	517 1140	670 1477	1400 3086
ANSI 300	85 187	106 234	184 406	255 562	554 1221	731 1612	1450 3197
ANSI 600	86 190	108 238	187 412	264 582	569 1254	756 1667	1500 3307

Table 11 Weights and dimensions

Reflux 819/FO + DB/819

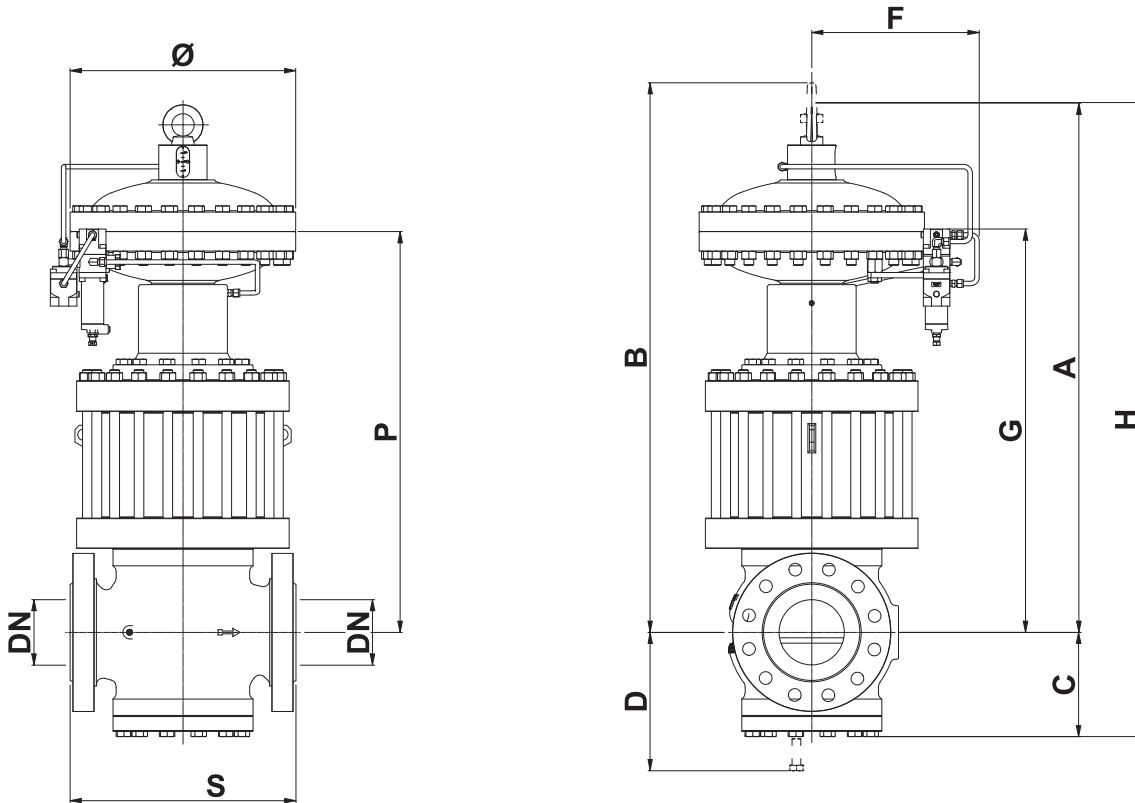


Figure 13 Reflux 819/FO + DB/819 dimensions

Weights and Dimensions (for other connections please contact your closest Pietro Fiorentini representative)

	[mm] inches	[mm] inches	[mm] inches	[mm] inches	[mm] inches	[mm] inches	[mm] inches	[mm] inches
Size (DN)	25 1"	50 2"	80 3"	100 4"	150 6"	200 8"	250 10"	300 12"
S - ANSI 150/PN16	184 7.24"	254 10"	298 11.73"	352 13.86"	451 17.76"	543 21.38"	673 26.50"	737 29.02"
S - ANSI 300	197 7.76"	267 10.51"	317 12.48"	368 14.49"	473 18.62"	568 22.36"	708 27.87"	775 30.51"
S - ANSI 600	210 8.27"	286 11.26"	336 13.23"	394 13.23"	508 20"	609 23.98"	752 29.61"	819 32.24"
Ø	278 10.94"	278 10.94"	360 14.17"	360 14.17"	510 20.08"	510 20.08"	610 24.02"	718 28.27"
A	571 22.48"	660 25.98"	760 29.92"	842 33.15"	1074 42.28"	1222 48.11"	1575 62.01"	1640 64.57"
B	661 26.02"	725 28.54"	505 19.88"	937 36.89"	1259 49.57"	1387 54.61"	1775 69.88"	1905 75"
C	100 3.94"	130 5.12"	150 5.91"	190 7.48"	225 8.86"	265 10.43"	340 13.39"	375 14.76"
D	130 5.12"	160 6.30"	200 7.87"	250 9.84"	275 10.83"	320 12.60"	440 17.32"	475 18.70"
F	310 12.20"	310 12.20"	320 12.60"	320 12.60"	420 16.54"	420 16.54"	470 18.50"	500 19.69"
G	476 18.74"	580 22.83"	675 26.57"	812 31.97"	394 15.51"	1032 40.63"	1375 54.13"	1355 53.35"
H	671 26.42"	790 31.10"	845 33.27"	1032 40.63"	1299 51.14"	1487 58.54"	1915 75.39"	2015 79.33"
K	220 8.66"	300 11.81"	330 12.99"	390 15.35"	480 18.90"	595 23.43"	695 27.36"	745 29.33"
P	421 16.57"	485 19.09"	565 22.24"	627 24.68"	829 32.64"	907 35.71"	1275 50.20"	1337 52.64"
Tubing Connections	Øe 10 x Øi 8 (on request imperial sizing)							

Weight	Kg lbs	Kg lbs	Kg lbs	Kg lbs	Kg lbs	Kg lbs	Kg lbs	Kg lbs
ANSI 150/PN 16	70 154	126 278	195 430	260 573	565 1246	835 1841	1280 2822	2091 4610
ANSI 300	72 159	128 282	204 450	289 637	608 1340	925 2039	1380 3042	2286 5040
ANSI 600	73 161	130 287	207 456	298 657	640 1411	950 2094	1430 3152	2366 5216

Table 12 Weights and dimensions

Reflux 819/FO + DB/819 + SB/82 or HB/97

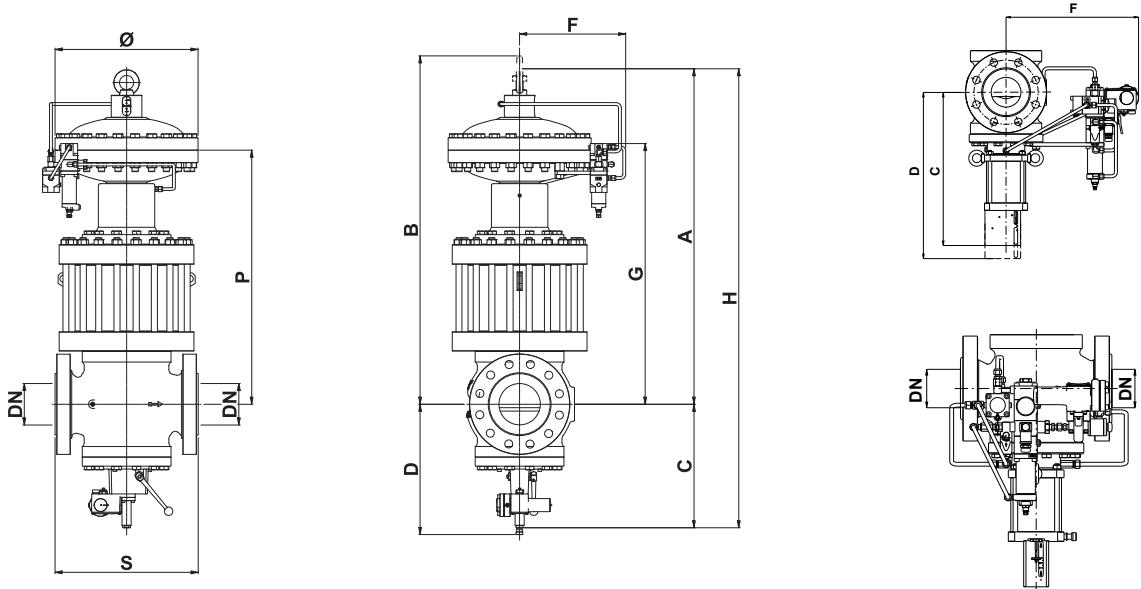


Figure 14 Reflux 819/FO + DB/819 + SB/82 or HB/97 dimensions

Weights and Dimensions (for other connections please contact your closest Pietro Fiorentini representative)								
	[mm] inches	[mm] inches	[mm] inches	[mm] inches	[mm] inches	[mm] inches	[mm] inches	[mm] inches
Size (DN)	25 1"	50 2"	80 3"	100 4"	150 6"	200 8"	250 10"	300 12"
S - ANSI 150/PN16	184 7.24"	254 10"	298 11.73"	352 13.86"	451 17.76"	543 21.38"	673 26.50"	737 29.02"
S - ANSI 300	197 7.76"	267 10.51"	317 12.48"	368 14.49"	473 18.62"	568 22.36"	708 27.87"	775 30.51"
S - ANSI 600	210 8.27"	286 11.26"	336 13.23"	394 13.23"	508 20"	609 23.98"	752 29.61"	819 32.24"
Ø	278 10.94"	278 10.94"	360 14.17"	360 14.17"	510 20.08"	510 20.08"	610 24.02"	718 28.27"
A	571 22.48"	660 25.98"	760 29.92"	842 33.15"	1074 42.28"	1222 48.11"	1575 62.01"	1640 64.57"
B	661 26.02"	725 28.54"	845 33.27"	937 36.89"	1259 49.57"	1387 54.61"	1775 69.88"	1905 75"
C with SB/82	215 8.46"	240 9.45"	270 10.63"	300 11.81"	375 14.76"	450 17.71"	530 20.87"	-
C with HB/97	-	-	-	518 20.39"	645 25.39"	687 27.05"	796 31.34"	940 37.01"
D with SB/82	280 11.02"	330 12.99"	380 14.96"	440 17.32"	560 22.05"	625 24.61"	730 28.74"	-
D with HB/97	-	-	-	650 25.59"	835 32.87"	900 35.43"	1060 41.73"	1250 49.21"
F	310 12.20"	310 12.20"	320 12.60"	320 12.60"	420 16.54"	420 16.54"	470 18.50"	-
F with HB/97	-	-	-	358 14.09"	410 16.14"	445 17.52"	510 20.08"	530 20.87"
G	476 18.74"	580 22.83"	675 26.57"	812 31.97"	934 36.77"	1032 40.63"	1375 54.13"	1355 53.35"
H	796 31.34"	900 35.43"	1030 40.55"	1142 44.96"	1449 57.05"	1672 65.83"	2105 82.87"	2580 101.57"
K	220 8.66"	300 11.81"	330 12.99"	390 15.35"	480 18.90"	595 23.43"	695 27.36"	745 29.33"
P	421 16.57"	485 19.09"	565 22.24"	617 24.29"	827 32.56"	907 35.71"	1275 50.20"	1337 52.64"
Tubing Connections	Øe 10 x Øi 8 (on request imperial sizing)							

Weight	Kg lbs	Kg lbs	Kg lbs	Kg lbs	Kg lbs	Kg lbs	Kg lbs	Kg lbs
ANSI 150/PN 16 with SB/82	79 174	136 300	205 452	274 604	577 1272	887 1955	1330 2932	-
ANSI 150/PN 16 with HB/97	-	-	-	266 586	569 1254	569 1254	569 1254	2371 5227
ANSI 300 with SB/82	82 181	139 306	217 478	304 670	628 1384	980 2161	1430 3153	-
ANSI 300 with HB/97	-	-	-	318 701	661 1457	1006 2218	687 1515	2560 5643
ANSI 600 with SB/82	83 183	141 311	220 485	313 690	660 1455	1500 3307	1480 3263	-
ANSI 600 with HB/97	-	-	-	330 727	687 1515	1022 2253	756 1667	2646 5833

Table 13 Weights and dimensions

Reflux 819/FO + DB/819 + PM/819

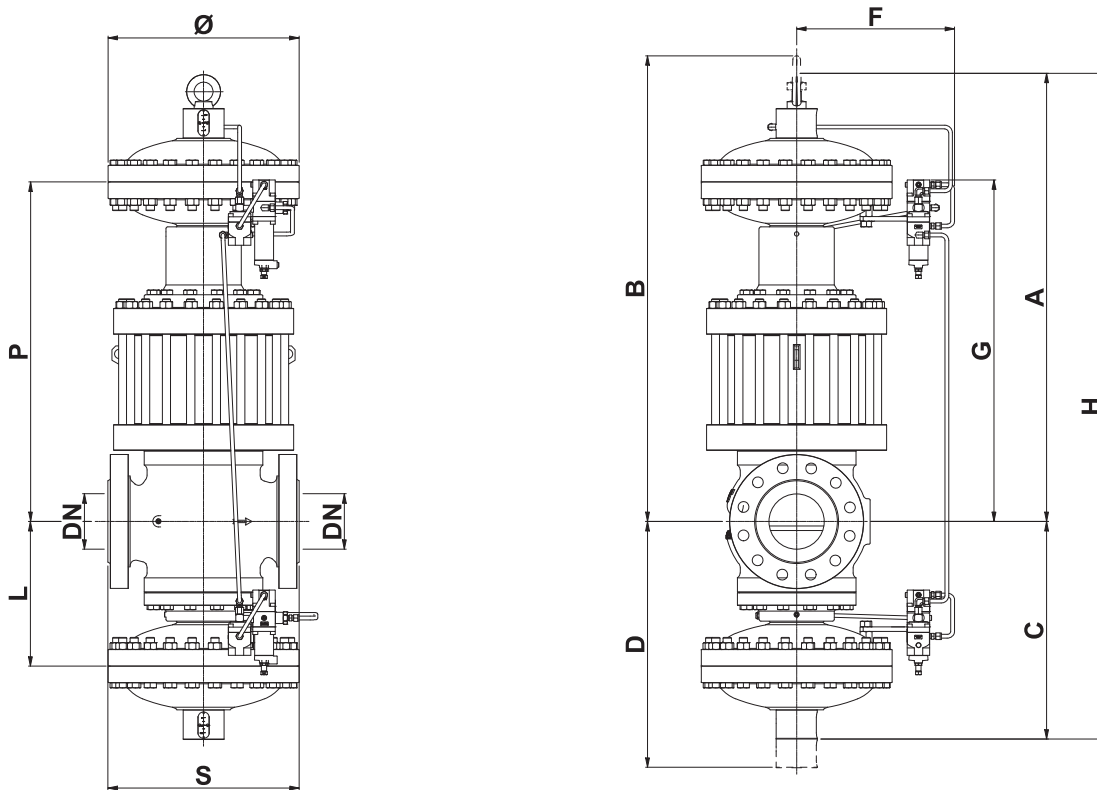


Figure 15 Reflux 819/FO + DB/819 + PM/819 dimensions

Weights and Dimensions (for other connections please contact your closest Pietro Fiorentini representative)							
	[mm] inches	[mm] inches	[mm] inches	[mm] inches	[mm] inches	[mm] inches	[mm] inches
Size (DN)	25 1"	50 2"	80 3"	100 4"	150 6"	200 8"	250 10"
S - ANSI 150/PN16	184 7.24"	254 10"	298 11.73"	352 13.86"	451 17.76"	543 21.38"	673 26.50"
S - ANSI 300	197 7.76"	267 10.51"	317 12.48"	368 14.49"	473 18.62"	568 22.36"	708 27.87"
S - ANSI 600	210 8.27"	286 11.26"	336 13.23"	394 13.23"	508 20"	609 23.98"	752 29.61"
Ø	278 10.94"	278 10.94"	360 14.17"	360 14.17"	510 20.08"	510 20.08"	610 24.02"
A	571 22.48"	660 25.98"	760 29.92"	842 33.15"	1074 42.28"	1222 48.11"	1575 62.01"
B	661 26.02"	725 28.54"	845 33.27"	937 36.89"	1259 49.57"	1387 54.61"	1775 69.88"
C	320 12.60"	350 13.78"	430 16.93"	490 19.29"	650 25.59"	750 29.53"	800 31.50"
D	410 16.14"	430 16.93"	530 20.87"	600 23.62"	735 28.94"	850 33.64"	900 35.43"
F	310 12.20"	310 12.20"	320 12.60"	320 12.60"	420 16.54"	420 16.54"	470 18.50"
G	476 18.74"	580 22.83"	675 26.57"	812 31.97"	934 36.77"	1032 40.63"	1375 54.13"
H	891 35.08"	1010 39.76"	1195 47.05"	1332 52.44"	1724 67.87"	1972 77.64"	2375 93.50"
K	220 8.66"	300 11.81"	330 12.99"	390 15.35"	480 18.90"	595 23.43"	695 27.36"
L	221 8.70"	200 7.87"	260 10.24"	290 11.42"	320 12.60"	370 14.57"	500 19.69"
P	421 16.57"	485 19.09"	320 12.60"	617 24.29"	827 32.56"	907 35.71"	1275 50.20"
Tubing Connections	Øe 10 x Øi 8 (on request imperial sizing)						

Weight	Kg lbs	Kg lbs	Kg lbs	Kg lbs	Kg lbs	Kg lbs	Kg lbs
ANSI 150/PN 16	110 242	170 375	270 595	359 791	774 1706	1097 2418	1780 3924
ANSI 300	112 247	172 379	267 588	388 855	783 1726	1185 2612	1880 4145
ANSI 600	113 249	174 383	270 595	397 875	815 1797	1210 2668	1930 4254

Table 14 Weights and dimensions



Sizing and Cg

In general, the choice of a regulator is made based on the calculation of the flow rate determined by the use of formulae using the flow rate coefficients (Cg) and the form factor (K1) as indicated by the EN 334 standard.

Flow rate coefficient								
Nominal size	25	50	80	100	150	200	250	300
Inches	1"	2"	3"	4"	6"	8"	10"	12"
Cg	575	2220	4937	8000	16607	25933	36525	55000
K1	106.78	106.78	106.78	106.78	106.78	106.78	106.78	106.78

Table 15 Flow rate coefficient

For sizing [PRESS HERE](#) or use the QR code:



Note: In case you do not have the proper credentials to access, feel free to contact your closest Pietro Fiorentini representative.

In general, the online sizing considers multiple variables as the regulator is installed in a system, enabling a better and multiperspective approach to the sizing.

For different gases, and for natural gas with a different relative density other than 0.61 (compared to air), the correction coefficients from the following formula shall be applied:

$$F_c = \sqrt{\frac{175,8}{S \times (273,16 + T)}}$$

S = relative density (refer to table 16)
T = gas temperature (°C)

Correction Factor Fc

Gas Type	Relative Density S	Correction Factor Fc
Air	1.00	0.78
Propane	1.53	0.63
Butane	2.00	0.55
Nitrogen	0.97	0.79
Oxygen	1.14	0.73
Carbon Dioxide	1.52	0.63

Note: the table shows the Fc correction factors valid for Gas, calculated at a temperature of 15°C and at the declared relative density.

Table 16 Coefficient factor Fc

Flow rate conversion

$$\text{Stm}^3/\text{h} \times 0.94795 = \text{Nm}^3/\text{h}$$

Nm³/h reference conditions T= 0 °C; P= 1 barg
Stm³/h reference conditions T= 15 °C; P= 1 barg

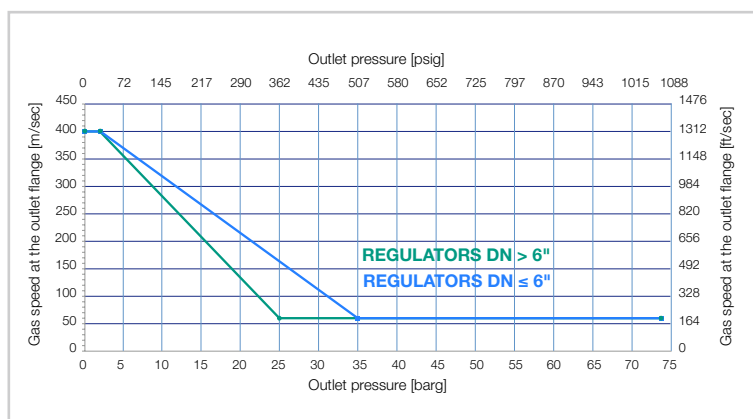
Table 17 Flow rate conversion

CAUTION:

In order to get optimal performance, to avoid premature erosion phenomena and to limit noise emissions, it is recommended to check that the gas speed at the outlet flange does not exceed the values of the graph below. The gas speed at the outlet flange may be calculated by means of the following formula:

$$V = 345.92 \times \frac{Q}{\text{DN}^2} \times \frac{1 - 0.002 \times \text{Pd}}{1 + \text{Pd}}$$

V = gas speed in m/s
Q = gas flow rate in Stm³/h
DN = nominal size of regular in mm
Pd = outlet pressure in barg





Sizing of regulators is usually made based on valve Cg value (table 15).

Flow rates in fully open position and various operating conditions are related by the following formulae where:

Q = flow rate in Stm³/h

Pu = inlet pressure in bar (abs)

Pd = outlet pressure in bar (abs).

- **A** > when the Cg value of the regulator is known, as well as Pu and Pd, the flow rate can be calculated as follows:

- **A-1** in sub critical conditions: (Pu < 2 x Pd)

$$Q = 0.526 \times C_g \times P_u \times \sin \left(K_1 \times \sqrt{\frac{P_u - P_d}{P_u}} \right)$$

- **A-2** in critical conditions: (Pu ≥ 2 x Pd)

$$Q = 0.526 \times C_g \times P_u$$

- **B** > vice versa, when the values of Pu, Pd and Q are known, the Cg value, and hence the regulator size, may be calculated using:

- **B-1** in sub-critical conditions: (Pu < 2xPd)

$$C_g = \frac{Q}{0.526 \times P_u \times \sin \left(K_1 \times \sqrt{\frac{P_u - P_d}{P_u}} \right)}$$

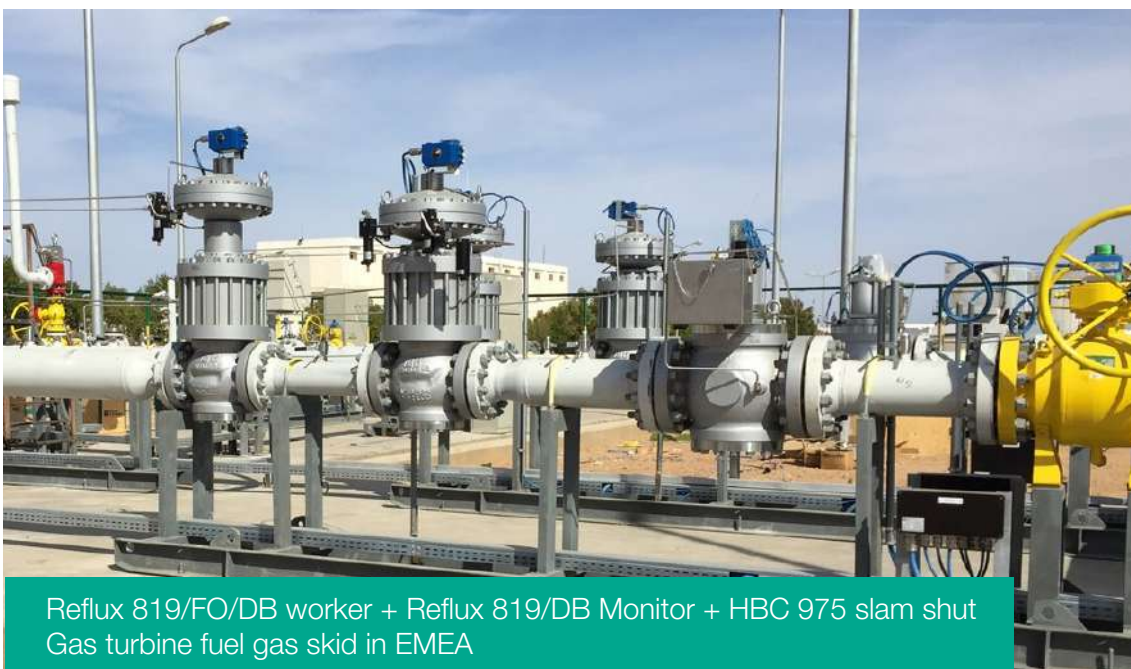
- **B-2** in critical conditions (Pu ≥ 2 x Pd)

$$C_g = \frac{Q}{0.526 \times P_u}$$

NOTE: The sin value is understood to be DEG.

Installations

Here below, at glance, are some typical installations by application and geographical location. On demand we are available to supply a more comprehensive experience list and/or references.





Pietro Fiorentini

TB0006ENG



The data are not binding. We reserve the right
to make changes without prior notice.

reflux819fo_technicalbrochure_ENG_revA

www.fiorentini.com